

# Sanicubic 2 VX

## Grey water, black water

The Sanicubic 2 VX lifting station is designed for lifting waste water from shops, private homes and public facilities. It is equipped with two pumps with a vortex impeller leaving a free passage of 50 mm. The 5 inlets of the device allow the connection of several sanitary equipment.



### PERFORMANCES

- Total manometric head : 16 m
- Max. flow rate : 55 m<sup>3</sup>/h

### PRODUCT BENEFITS

- Installation without digging / excavation.
- Accessibility in case of maintenance.
- 5 inputs, 2 of which are low.
- Low engagement.
- 2 vortex impellers.
- Alternating motor operation.



### DELIVERED AS STANDARD

Classic control Box



Remote wired audible and visual alarm unit (5m)



### CONNECTIONS



 External inlet diameter : 40, 50, 100, 110, 125 mm

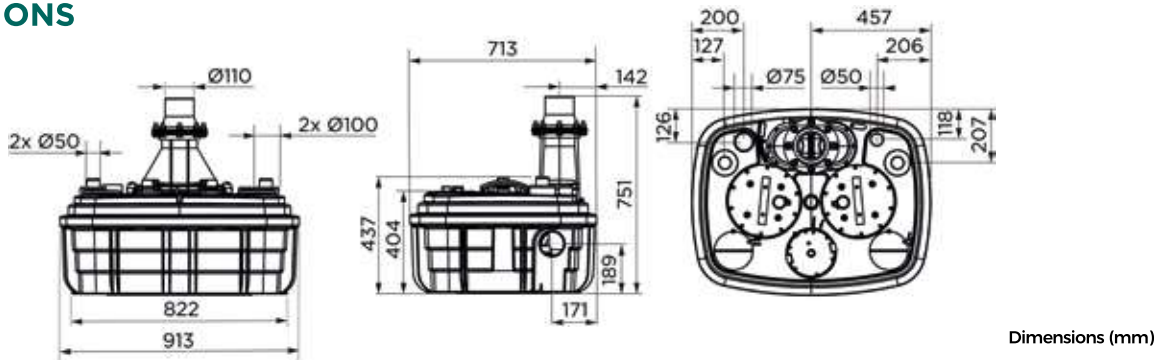
 Discharge diameter ext. : 90/110 mm

 Ext. ventilation diameter : 75 mm

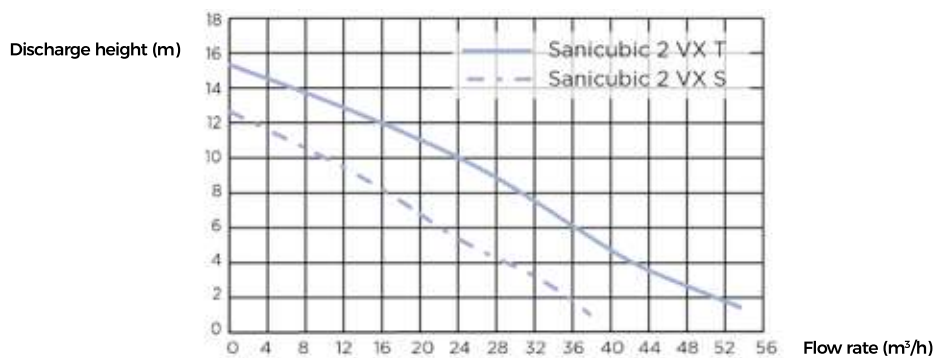


Vortex

## DIMENSIONS



## CURVE



	Sanicubic 2 VX S	Sanicubic 2 VX T
Type of control box	Classic	Classic
Material		
Tank	PP GF	PP GF
Pump housing	PA 12 GF	PA 12 GF
Motor housing	PA 12 GF	PA 12 GF
Impeller	PPO GF	PPA GF
Technical features		
Voltage (V)	230	400
Frequency (Hz)	50-60	50-60
Power consumption P1 (W)	2000	3500
Power output P2 (W)	1400	2800
Mode of operation	S3 30%	S3 15 %
IP Rating	IP68	IP68
Hydraulics		
Total manometric head (m)	13	16
Max. flow rate (m³/h)	40	55
External inlet diameter (mm)	40, 50, 100, 110, 125	40, 50, 100, 110, 125
Discharge diameter ext. (mm)	90/110	90/110
Ext. ventilation diameter (mm)	75	75
Total volume (L)	120	120
Useable volume (L)	26	26
ON Level /OFF level (mm)	165/95	165/95
Alarm level (mm)	235	235
Particle size (mm)	50	50
Max. temperature of the pumped liquid (5 min)	70 °C	70 °C
Type of impeller	Vortex	Roue vortex
Type of activation	Pneumatic	Pneumatic
Identification and logistics		
Gross weight (kg)	101	102
Factory code	CUBIC2XLVX	CUBIC2XLVXTRI