

Sanicom 1

Grey water

The Sanicom 1 station is designed to lift water from commercial environments such as doctor clinics, showers in sports halls, launderettes, pubs, hair salons etc. It can take water up to 90 °C for short periods of time. The station is equipped with a pressure switch system that turns on and off the pump. A high level alarm is built into the unit. A remote audible and visual alarm is available as an option.



PERFORMANCES

- Total manometric head : 11 m
- Max. flow rate : 12 m³/h

PRODUCT BENEFITS

- Ability to pump grey water (except toilets) up to 90°C.
- Simple and easy installation without digging soil disbursement.
- Inlets on each side of the device for greater flexibility (ext. diameter 40).
- Removable motor and level sensors for ease of maintenance.



OPTIONAL

Wired alarm box Sanicom 1



CONNECTIONS

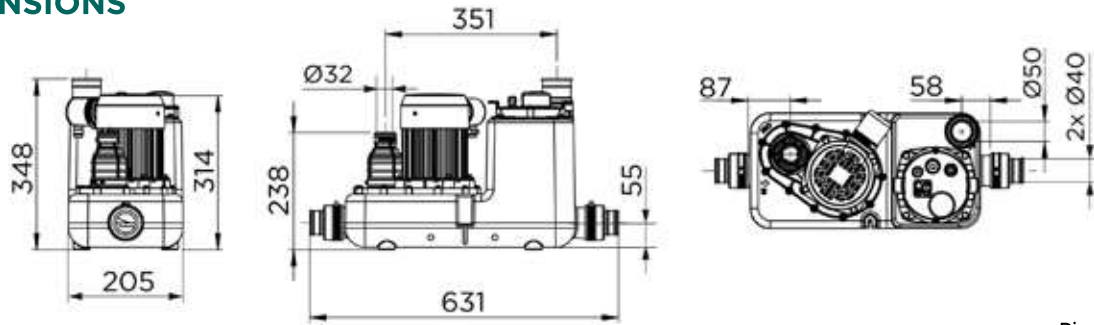


- External inlet diameter : 40, 50 mm
- Discharge diameter ext : 32 mm
- Ext. ventilation diameter : 50 mm



Multi-channel

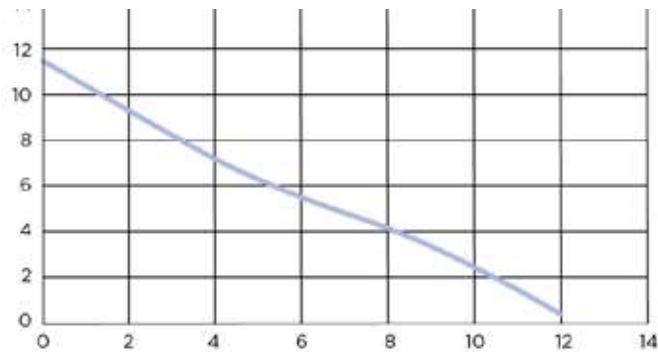
DIMENSIONS



Dimensions (mm)

CURVE

Discharge height (m)



Flow rate (m³/h)

Sanicom 1 v02

Type of control box	Integrated
Material	
Tank	PE
Pump housing	PA 12 GF
Motor housing	Aluminium
Impeller	PA 6 GF
Technical features	
Voltage (V)	230
Frequency (Hz)	50-60
Power consumption P1 (W)	750
Power output P2 (W)	525
IP Rating	IPX4
Hydraulics	
Total manometric head (m)	11
Max. flow rate (m ³ /h)	12
External inlet diameter (mm)	40, 50
Discharge diameter ext. (mm)	32
Ext. ventilation diameter (mm)	50
Total volume (L)	14
Useable volume (L)	5.7
ON Level /OFF level (mm)	135/50
Alarm level (mm)	205
Particle size (mm)	8
Max. temperature of the pumped liquid (5 min)	90 °C
Type of impeller	Multi-channel
Type of activation	Pneumatic
Identification and logistics	
Gross weight (kg)	11.5
Factory code	COM1002